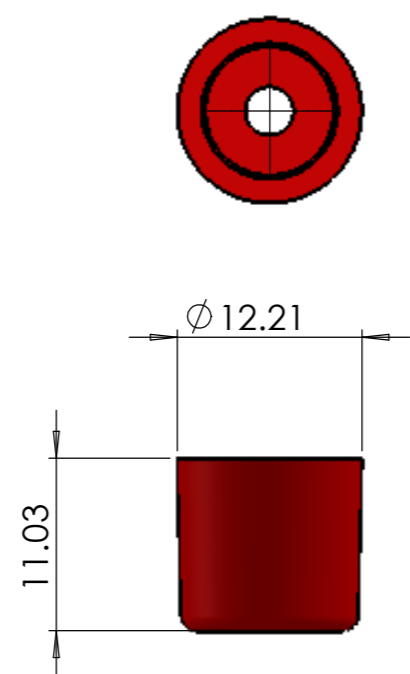
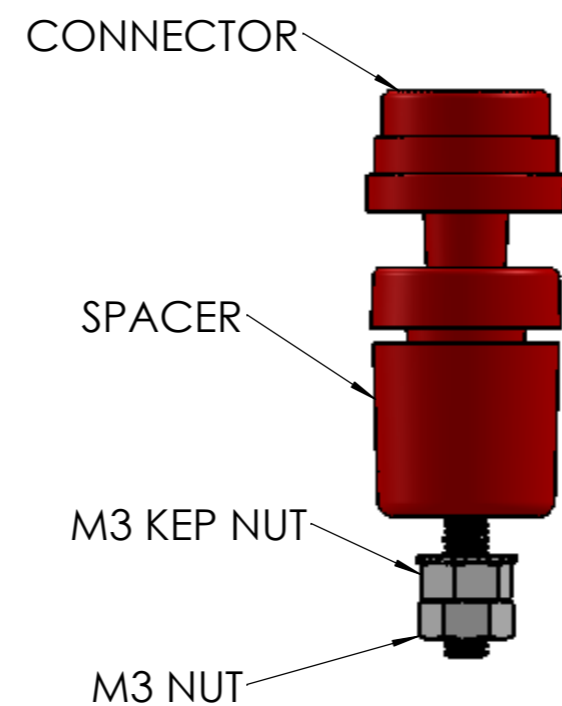


CONNECTOR DIMENSIONS

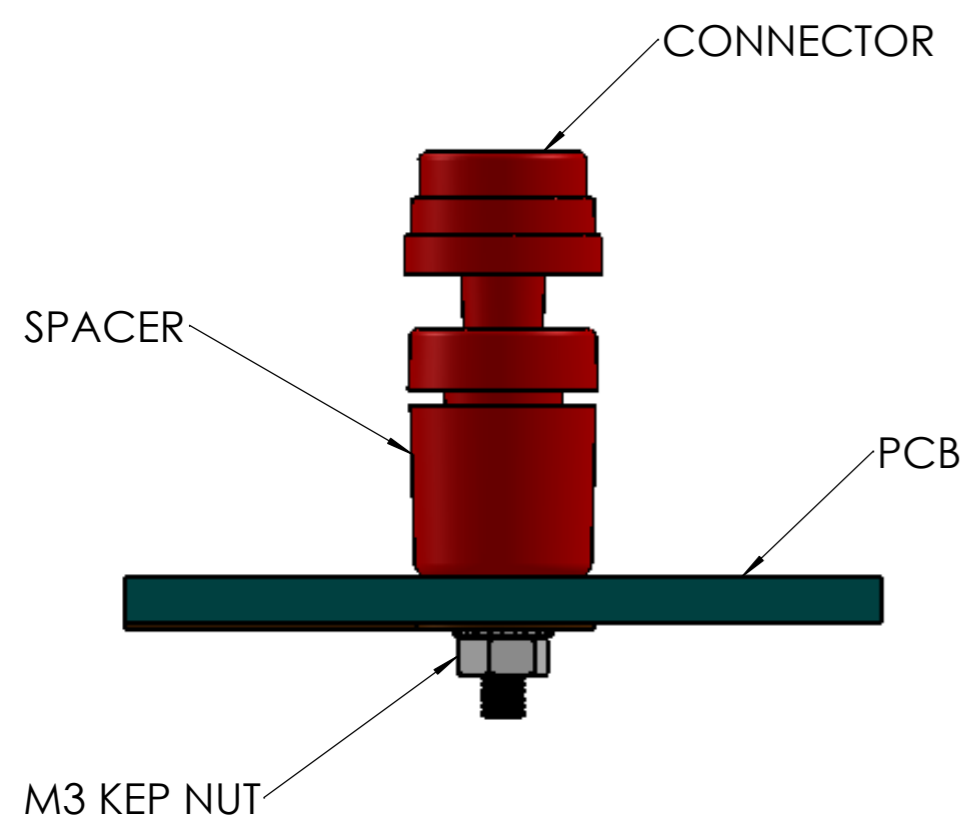
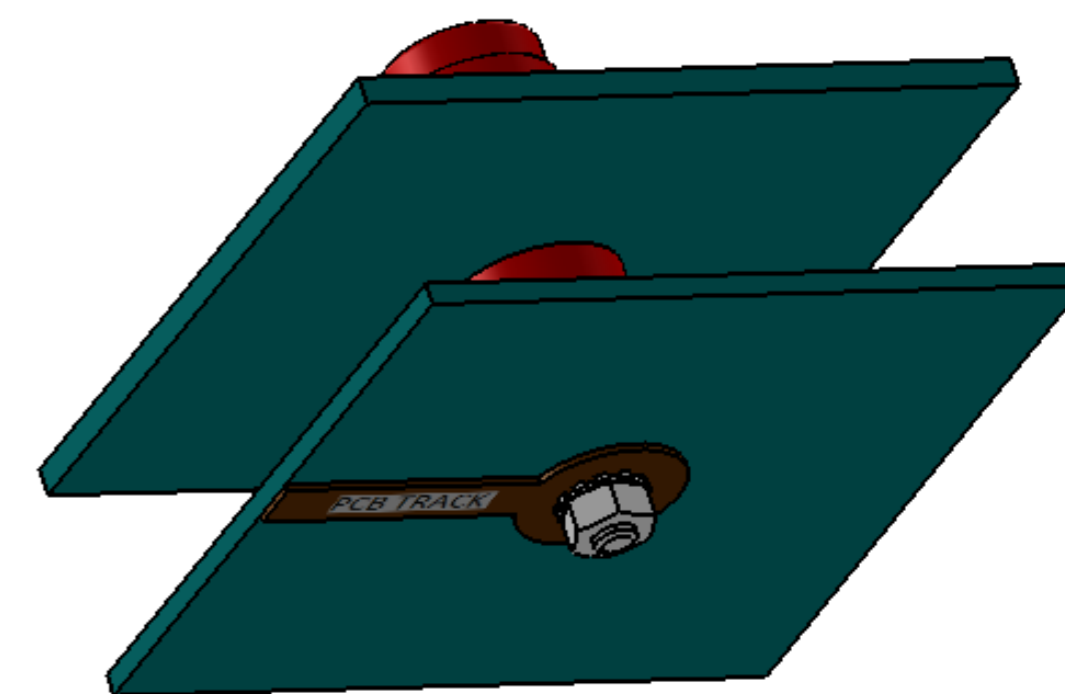
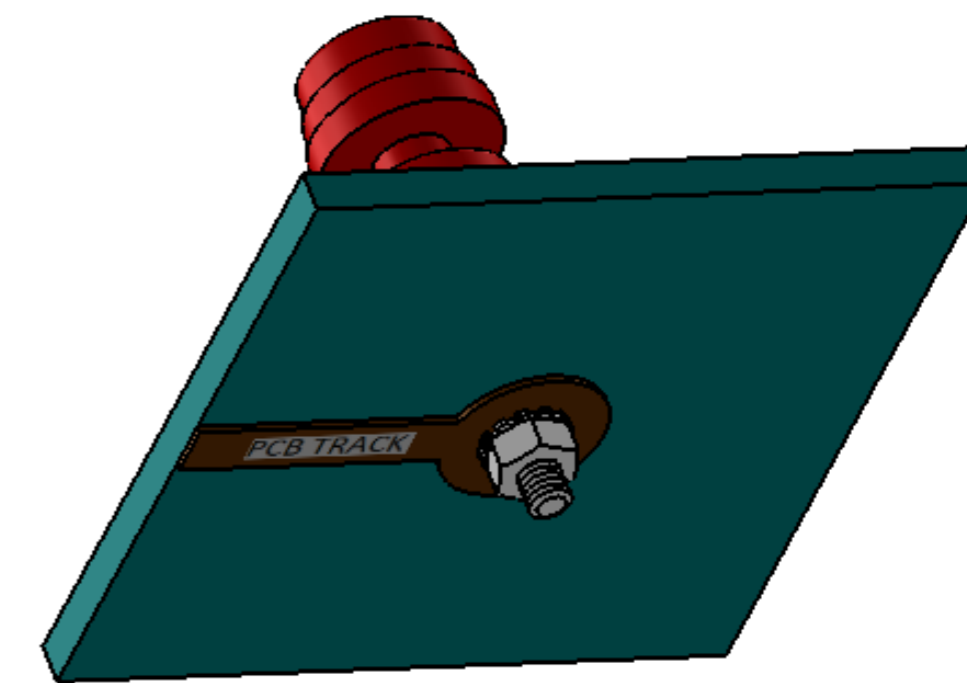


SPACER DIMENSIONS

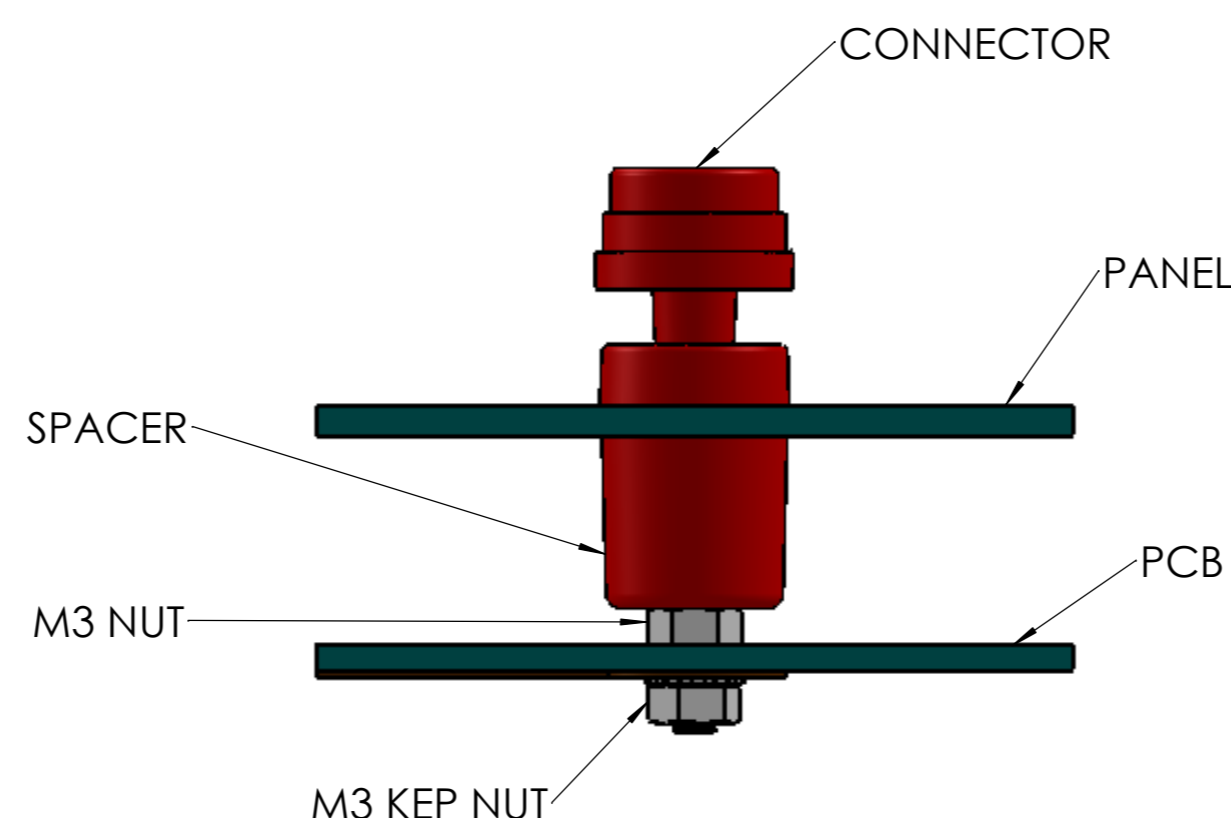


COMPONENTS

- **Centre post** - Stainless steel
- **Material** - Stainless steel spring, washer, nut and kep nut W/3 mm thread
- **Plastic** - Strength nylon
- **Shipping weight** - 0.215 ounces (6.1 grams)
- **Available colours** - Red and black sold individually
- **Durable waterproof**



ABOVE PCB MOUNTING



BELOW PCB MOUNTING

MOUNTING OPTIONS

COPYRIGHT

This drawing and the designs, information and ideas contained therein remains the exclusive property of Elite Fireworks Pty Ltd and is not to be copied, distributed or used for any purpose other than to provide information relating to the purchase and use of the products shown on the drawing.

PYROTECHNIC ATTACHMENT CONNECTOR



www.quick-clips.com.au